



# TPD12-100 12V 100Ah

## MAINTENANCE-FREE RECHARGEABLE BATTERY FOR HIGH RATE USE

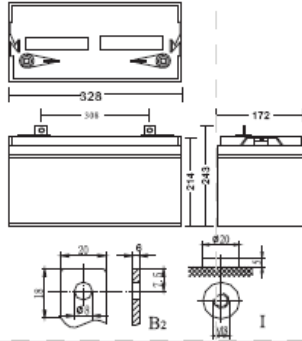


### General Features

- Absorbent Glass Mat (AGM) technology for efficient gas recombination of up to 99% and freedom from electrolyte maintenance or water adding.
- Not restricted for air transport-complies with IATA/ICAO Special Provision A67.
- UL-recognized component.
- Can be mounted in any orientation.
- Computer designed lead, calcium tin alloy grid for high power density.
- Long service life, float or cyclic applications.
- Maintenance-free operation.
- Low self discharge.

### Dimensions and Weight

Length(mm / inch)	328/12.91
Width(mm / inch)	172/6.77
Height(mm / inch)	214/8.43
Total Height(mm / inch)	243/9.57
Approx. Weight(Kg / lbs)	38 / 83.8
Standard Terminal	B2
Optional Terminal	I



### Specification

Nominal Voltage	12V
Number of cell	6
Design Life	10 years
Nominal Capacity 77°F(25°C)	
10 hour rate (10A,10.5V)	100AH
5 hour rate (16.6A, 10.5V)	83AH
1 hour rate (65A,9.6V)	65AH
Internal Resistance	
Fully Charged battery 77°F(25°C)	4.3mOhms
Self-Discharge	
3% of capacity declined per month at 20°C(average)	
Operating Temperature Range	
Discharge	-20~60°C
Charge	-10~60°C
Storage	-20~60°C
Max. Discharge Current 77°F(25°C)	950A(5s)
Short Circuit Current	1875A
Charge Methods: Constant Voltage Charge 77°F(25°C)	
Cycle use	14.4-14.7V
Maximum charging current	30A
Temperature compensation	-30mV/°C
Standby use	13.6-13.8V
Temperature compensation	-20mV/°C

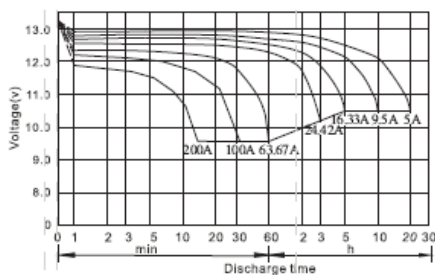
### Discharge Constant Current (Amperes at 77°F25°C)

End Point Volts/Cell	5min	10min	15min	30min	1h	3h	5h	10h
1.60V	374	268	195	115	65.0	26.1	17.0	10.4
1.65V	364	255	191	113	64.7	26.0	16.9	10.3
1.70V	343	246	188	112	64.1	25.8	16.8	10.2
1.75V	308	227	179	109	63.5	25.7	16.6	10.1
1.80V	278	207	165	104	62.0	25.0	16.3	10.0

### Discharge Constant Power (Watts at 77°F25°C)

End Point Volts/Cell	5min	10min	15min	30min	1h	3h	5h	10h
1.60V	667	487	359	214	123	49.9	32.5	19.4
1.65V	653	465	350	212	122	49.7	32.3	19.2
1.70V	616	450	345	212	121	49.5	32.1	19.0
1.75V	555	415	330	204	120	49.1	31.9	18.8
1.80V	499	377	303	195	117	48.1	31.6	18.7

Discharge characteristic (25°C)



Constant voltage charging characteristic (0.25CA, 25°C)

